

ENERGIZER 357/303

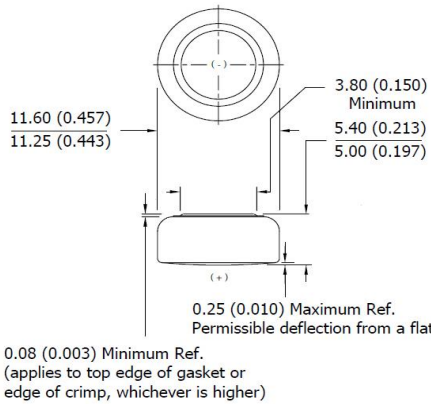
**ZEROMERCURY**

**SILVER OXIDE**



**Industry Standard Dimensions**

mm (inches)

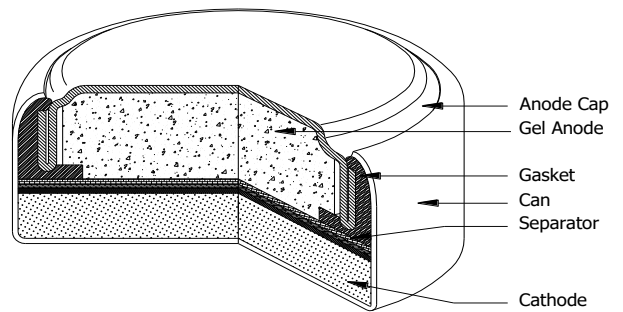


**Specifications**

<b>Chemical System:</b>	Silver Oxide (Zn/Ag <sub>2</sub> O)
<b>Designation:</b>	ANSI-1131SO, IEC-SR44
<b>Nominal Voltage:</b>	1.55 Volts
<b>Typical Capacity:</b>	138 mAh* (to 1.2 volts)
<b>Capacity Test:</b>	6.8K ohm continuous drain at 21°C
<b>Typical Weight:</b>	2.3 grams (0.08 oz.)
<b>Typical Volume:</b>	0.57 cubic centimeters (0.035 cubic inch)
<b>Impedance (40 Hz):</b>	2 to 8 ohms

\* Varies according to the applied load, temperature, and cutoff voltage.

**Cross Section**

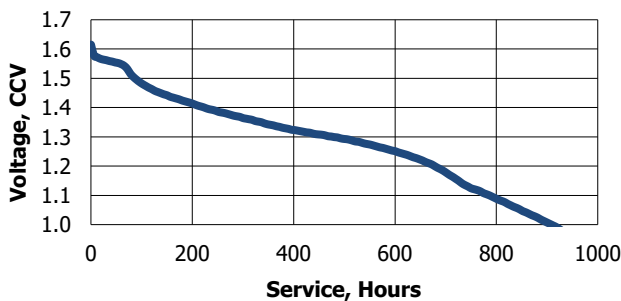


DESIGNED FOR USE ON CONTINUOUS LOW DRAIN  
HIGH PULSE ON DEMAND

**Typical Discharge Characteristics**

Typical Performance at 21°C (70°F)

**Schedule:** Continuous  
**Typical Drain @1.37V:**  
0.201 milliamperes  
**Load:** 6.8K ohm

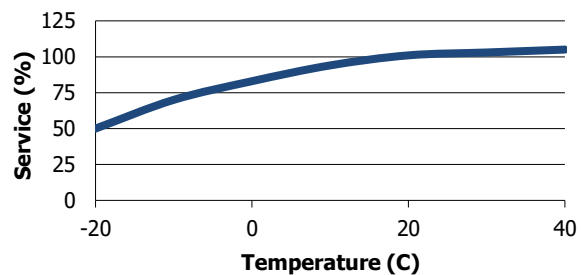


<b>Schedule</b>	<b>Typical Drains</b> at 1.37V (milliamperes)	<b>Load</b> (ohm)	<b>Cutoff</b> 1.2V (hours)
Continuous	0.201	6.8K	685

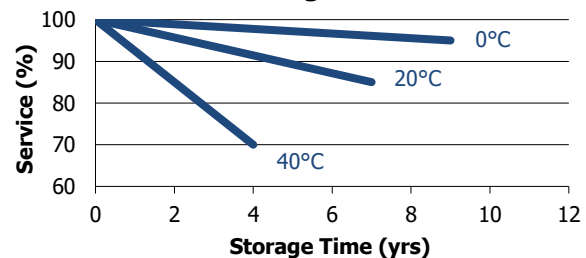
**Temperature Characteristics**

Typical Performance at Low Discharge Rates

**Service Effects**



**Storage Effects**



**Important Notice**

This datasheet contains typical information specific to products manufactured at the time of its publication.  
**Contents herein do not constitute a warranty and are for reference only.**

