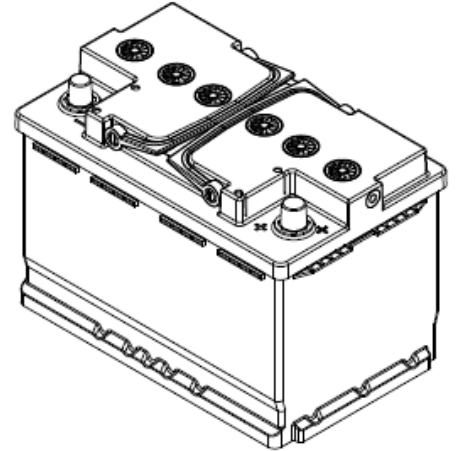


### Technical Information

The Predator PMFLN3-AGM is a premium quality battery designed for vehicles equipped with Idle Stop Start (ISS) technology. For reliable ISS function and battery life it is critical that an AGM is installed whenever it is specified by the manufacturer.

Predator AGM's ensure there is always enough energy to operate vehicle accessories while maintaining a power reserve to start the engine when required. Every AGM cell is fitted with a one-way valve to ensure optimum performance while allowing the cell to vent if needed.

When compared to a flooded battery, a Predator AGM will deliver a significantly longer service life and is also highly resistant to vibration. Predator AGM's can replace a flooded battery in most applications when higher performance and durability are needed.



### Features & Benefits

- Ideal for ISS and high performance applications
- Significantly longer cycle life vs flooded batteries
- Spill proof design
- Superior vibration resistance

### Applications

- Idle Stop Start Vehicles
- Prestige Passenger Cars
- High Performance Upgrade

### Technical Specifications

<b>Battery Type</b>	Absorbent Glass Mat	<b>Case Material / Colour</b>	Polypropylene / Black
<b>Voltage</b>	12V	<b>Lid Type</b>	VRLA
<b>Capacity (20Hr)</b>	70Ah	<b>Plate Type</b>	Full Frame Positive & Negative Grids
<b>CCA (-18°C, SAE)</b>	760A	<b>Separator Type</b>	Glass Mat
<b>Reserve Capacity (25A, SAE)</b>	120 minutes	<b>Assembly Layout</b>	RH Positive [- +]
		<b>Terminal Type</b>	SAE Standard
<b>Overall Size (LxWxH)</b>	278 x 175 x 190mm	<b>Case Size</b>	Din66H, LN3
<b>Nominal Weight</b>	20.1kg	<b>Ledges</b>	Long & Short Side