

DRY BATTERY

DRY | CONVENTIONAL

REF **6N4B-2A**



6v

VOLTAGE - v

4.2Ah

CAPACITY - Ah (20Hr)

4Ah

CAPACITY - Ah (10Hr)

TECHNOLOGY

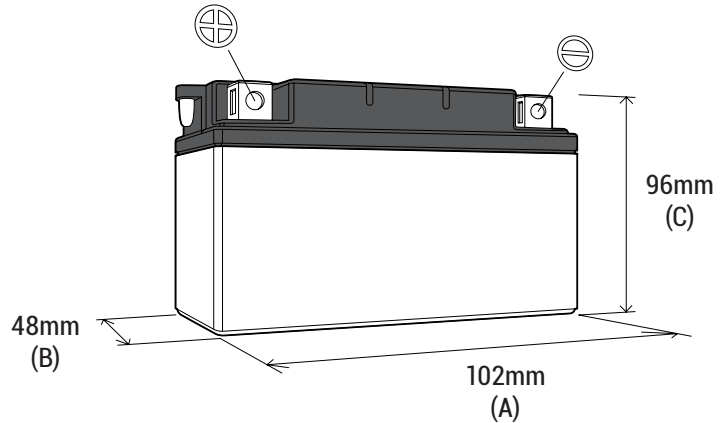
- Lead acid dry charged construction (absorbed acid)
- No acid in cells, must be filled with acid before use
- 6 & 12V batteries

FEATURES

- Upright installation only
- Has to be checked periodically and refilled with water if necessary
- Internal gas emission through venting hole
- Handle with care to prevent acid spillage
- Regular life duration
- Does not need to be recharged while stocked

DIMENSIONS

Length (A):	102±2mm
Width (B):	48±2mm
Container height:	96±2mm
Total height (C):	96±2mm



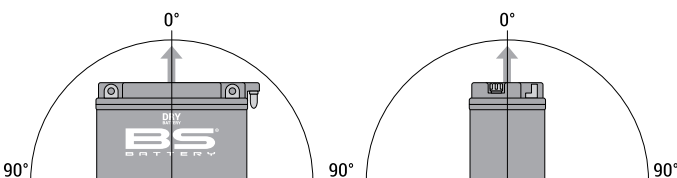
UPGRADE FOR

-

WEIGHT

Battery (with acid): Approx 0.85kg

MOUNTING ANGLE



Upright installation only

TERMINALS

