

DRY BATTERY

DRY | CONVENTIONAL

REF BB14L-A2



12v VOLTAGE - v

175A CCA - A

14.7Ah CAPACITY - Ah (20Hr)

14Ah CAPACITY - Ah (10Hr)

TECHNOLOGY

- Lead acid dry charged construction (absorbed acid)
- No acid in cells, must be filled with acid before use
- 6 & 12V batteries

FEATURES

- Upright installation only
- Has to be checked periodically and refilled with water if necessary
- Internal gas emission through venting hole
- Handle with care to prevent acid spillage
- Regular life duration
- Does not need to be recharged while stocked

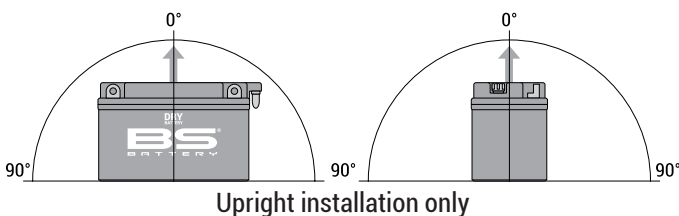
UPGRADE FOR

-

WEIGHT

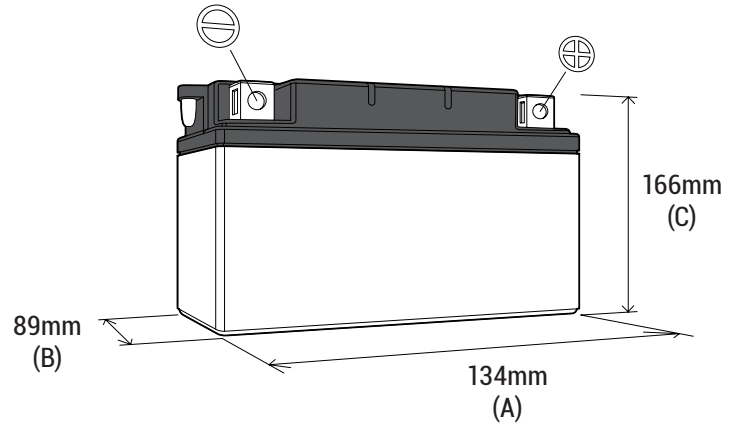
Battery (with acid) : Approx 4.58kg

MOUNTING ANGLE



DIMENSIONS

Length (A) :	134±2mm
Width (B) :	89±2mm
Container height :	166±2mm
Total height (C) :	166±2mm



TERMINALS

