



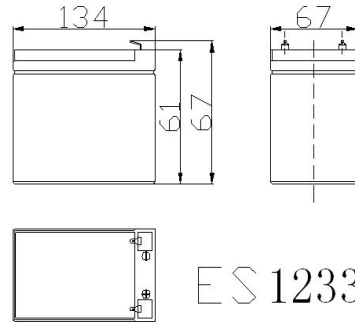
Batterypro

www.a1batterypro.com.au

ES1233

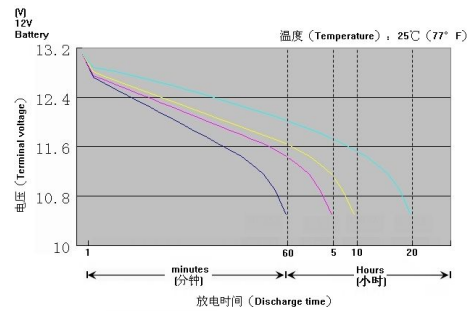
Issue Date: 29/06/2015

Predator
AGM BATTERIES

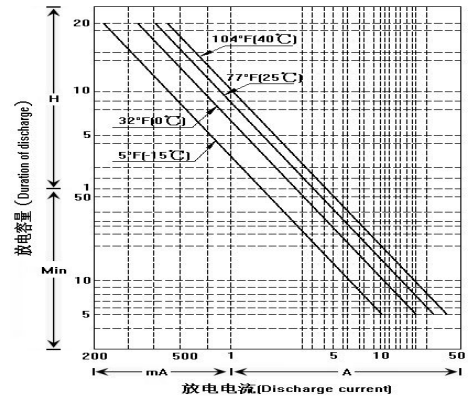


ES 1233

Discharge characteristics 77°F(25°C)



Duration of discharge VS discharge current



Specifications:	
Model: ES1233	
Nominal Voltage	12V
Rated Capacity	
20 Hour Rate (0.165A to 10.5V)	3.3Ah
Hourly rate conversion capacity	
1 Hour Rate (3.3A to 10.5V)	2Ah
5 Hour Rate (0.66A to 10.5V)	2.8Ah
10 Hour Rate (0.33A to 10.5V)	3Ah
20 Hour Rate (0.165A to 10.5V)	3.3Ah
Dimension and Weight	
Length	134±2mm
Width	67±2mm
Height	61±2mm
Total Height	67±2mm
Weight	1.2Kg
Shell	ABS
Self discharge Rate (20°C)	≥85%/3month
Internal Resistance	Fully charged Battery ≤10mΩ
Operating Temperature Ranger	
Discharge	-35°C(-31°F)~50°C(122°F)
Charge	-15°C(5°F)~40°C(104°F)
Storage	-15°C(5°F)~40°C(104°F)
Charging Methods	
Floating Use	13.5V~13.8V(25°C), Compensation co-efficient-3mv/cell/°C
Cycling Use	14.7V~14.9V(25°C), Compensation co-efficient-5mv/cell/°C
Max Charge Current	0.15C2(A)
Applications	Electric vehicle, solar power, wind power, telecom systems, UPS, Medical

Two Great Stores to choose from...

7 Cemetery Rd,
Mackay QLD 4740

Phone 07 4957 6123

Unit 16, 547 Woolcock St,
Mt Louisa, Townsville QLD 4814

Phone 07 4774 7344