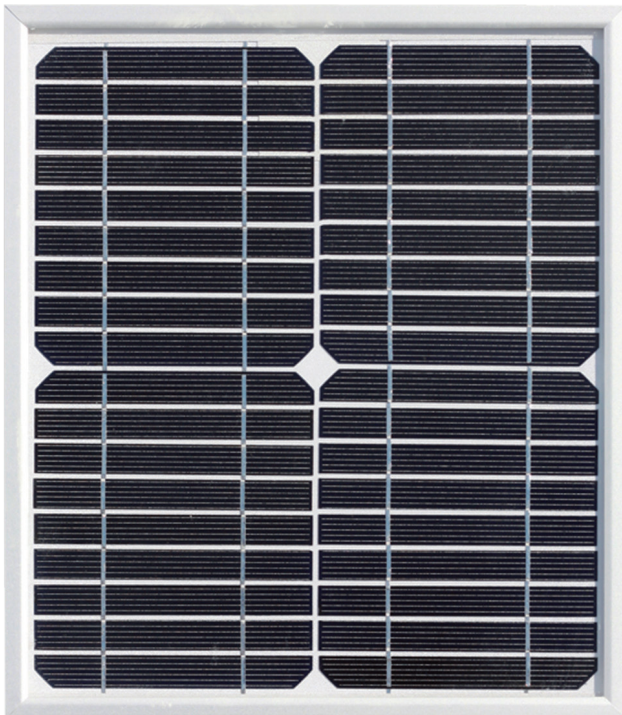


**SP-EN10W  
F 30mm  
Mono Solar Panel**

**Key Features**



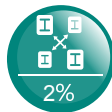
**High Conversion Efficiency**  
Module efficiency up to 11.20% achieved through advanced cell technology and manufacturing capabilities



**Positive Tolerance**  
Positive tolerance of up to -1%+~3% delivers higher output reliability



**High PID Resistant**  
Advanced cell technology and qualified materials lead to high PID resistant



**Current Sorting Process**  
System output maximised by reducing mismatch losses up to 2% with modules sorted and packaged by amperage



**Extended Wind and Snow**  
Load tests  
Module certified to withstand extreme wind (2400 Pascal) and snow loads (5400 Pascal)



**Withstanding Harsh Environment**  
Reliable quality leads to a better sustainability even in harsh environments in the outdoors

**Quality Guarantee**

- \* High efficiency solar cells, Low resistance loss and higher conversion efficiency
- \* Double EL test before and after lamination, highly controls product defects
- \* Solar panel classified by current, to improve system performance



**Certificates**

- \* ISO9001:2015
- \* ISO14001:2015
- \* ISO45001:2018
- \* CE;CQC;SGS;IN METRO;DEKRA



# SP-EN10W F 30mm Mono Solar Panel

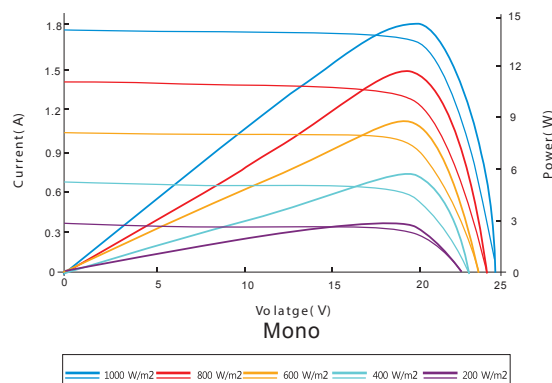
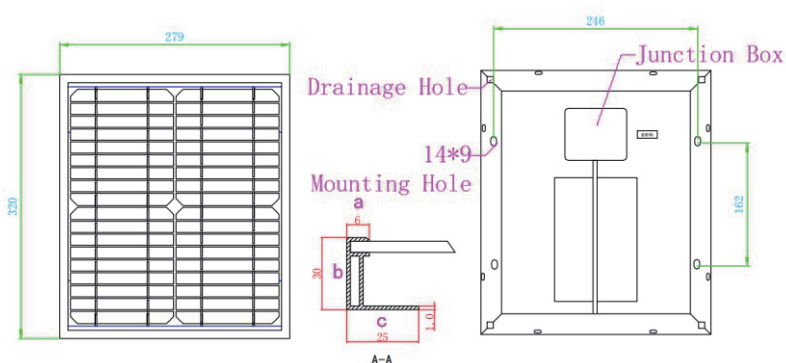
## Electrical Characteristics

STC	SP-EN10W
Maximum Power(Pmax)	10W
Optimum Operating Voltage(Vmp)	17.3V
Optimum Operating Current(Imp)	0.60A
Open Circuit Voltage(Voc)	21.3V
Short Circuit Current(Isc)	1.73A
Module Efficiency	11.20%
Operating Module Temperature	-40°C to +85°C
Maximum System Voltage	715/1000V DC (IEC)
Power Tolerance	-1%~+3%

STC Irradiance 1000 W/m<sup>2</sup>, module temperature 25°C, AM=1.5; Best in Class AAA solar simulator (IEC 60904-9) used

## Engineering Drawing

## I-V Curve



Excellent performance under weak light conditions: at an irradiance intensity of 800W/m<sup>2</sup> (AM 1.5, 25°C), 95.5% or higher of the STC efficiency(1000W/m<sup>2</sup>) is achieved.

## Mechanical Characteristics

Solar Cell	Monocrystalline silicon 125mm×13.6mm
No. of Cells	36 (2×18)
Dimensions	320x279x30mm
Weight	1.0kg
Front Glass	3.2mm(0.13 inches) tempered glass
Frame	Anodized aluminium alloy
Junction Box	Ip67 rated
Output Cables	TÜV (2Pfg1169:2007)
Connectors	MC4 connectors

0.75m<sup>2</sup>, symmetrical lengths(-) 1500mm and (+) 1500mm

## Temperature Characteristics

NOCT	45±2°C
Temperature Coefficient of Pmax	-0.48%/°C
Temperature Coefficient of Voc	-0.34%/°C
Temperature Coefficient of Isc	0.037%/°C



[www.a1batterypro.com.au](http://www.a1batterypro.com.au)

Two Great Stores to choose from...

7 Cemetery Rd,  
Mackay QLD 4740  
Phone 07 4957 6123

Unit 16, 547 Woolcock St,  
Mt Louisa, Townsville QLD 4814  
Phone 07 4774 7344