



# POWER SYSTEM SERIES

# THE ADVENTURER

Since 2008, Enerdrive has been working in the Caravan, RV and Marine industries as well as working alongside some of the country's leading canopy manufacturers. Enerdrive has taken this knowledge and experience to proudly bring to market it's range of Power System Series. Using a proven quality component build list and proven to withstand the rugged Aussie conditions, these systems are designed to suit the needs of installers and end users looking for a reliable power system. The components of the system are pre wired in house by Enerdrive to make installation even easier. The Power System Series are neatly packaged onto a pre-assembled board with the main connections housed within a rugged metal case and they're available in either Passenger or Driver's side builds, giving lots of options for installation. With the option to add in custom artwork like your company logo and colour scheme, and custom switch engraving to suit your install at an added cost. The Power System Range range is well ahead of the game in terms of compact power solutions, and truly something you will wonder what you did without.

## What's included?

This system is designed for the end user requiring maximum power requirements along with AC charging ability and 230v Inverter power.

You will find the following products in The Adventurer system:

- ▶ DC2DC 40+ Charger
- ▶ ePOWER 12V 40A AC Charger
- ▶ ePRO Plus Battery Monitor
- ▶ ePOWER 2000W AC Transfer Inverter
- ▶ 4 x additional Circuit Breakers for Air/Water Pumps and more
- ▶ Main System & Inverter Hi-Amp Circuit Breakers



\*Passenger side, Simarine with x2 USB Outlets pictured

## Benefits of Simarine Upgrade

- ▶ Colour Screen
- ▶ Optional Temperature and Tank Monitoring
- ▶ Optional SCQ50 shunt for individual current monitoring of DC2DC, Fridge and DC Loads
- ▶ WiFi Phone App



\*Standard ePRO Plus Battery Monitor



\*Optional Simarine Pico Monitor and SCQ50 Shunt

# THE ADVENTURER

## Items Included in The Adventurer:

ePOWER DC2DC 40+ Charger (Vehicles/Solar)	*
ePOWER 40 AC Charger	*
ePOWER 2000W AC Transfer Inverter	*
ePRO Plus Battery Monitor	*
Simarine LCD Battery WiFi Monitoring System	(Option to replace ePRO Plus Monitor with Simarine LCD)
4x Pre-Wired Circuit Breakers for Main Power Equipment	*
4x Additional Circuit Breakers	*
4x Contura Switches (12V 20Amp)	*
Pre-Wired Battery & Fridge Anderson Plugs	*
Twin USB 2.4A Hi Amp Sockets	*
12V Power Outlet to Replace One or Both USB Sockets (Please request at time of order)	Optional
Battery Reset Button	*
Main System & Inverter Circuit Breakers	*
Individual Load/Charge Module for Simarine (#SI-SCQ50)	Optional
Water/Fuel Tank Module for Simarine (#SI-ST107)	Optional
Dimensions	640L x 155W x 655Hmm
Weight	18kg

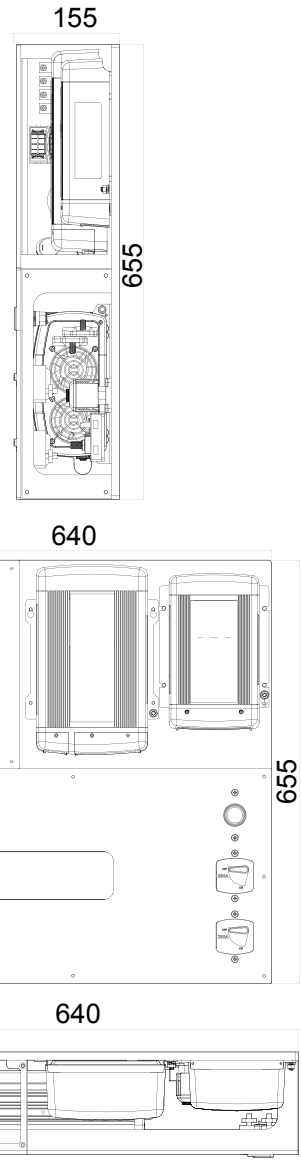
(\* ) Indicates Standard Fitment

## The Adventurer Package Options:

Battery Monitor Options	ePRO Plus Battery Monitor	<input type="checkbox"/>	
	OR		
	Simarine	<input type="checkbox"/>	
Mounting Position	OR		
	Simarine + SCQ50 Quadro	<input type="checkbox"/>	
Socket Options	Driver's Side	<input type="checkbox"/>	
	OR		
	Passenger Side	<input type="checkbox"/>	
Socket Options	USB Port	L <input type="checkbox"/>	R <input type="checkbox"/>
	OR		
	12V Power Outlet	L <input type="checkbox"/>	R <input type="checkbox"/>



\*Passenger's Side Pictured



Weight Approx. 18kg



Two Great Stores to choose from...  
 7 Cemetery Rd, Mackay QLD 4740  
 Phone 07 4957 6123  
 Unit 16, 547 Woolcock St, Mt Louisa, Townsville QLD 4814  
 Phone 07 4774 7344