

LITHIUM

LiFePO4

LITHIUM (LiFePO4) | High Performance

REF **BSLi-01**



12_v VOLTAGE

24_{Wh} ENERGY

140_A CCA - A (EN)

TECHNOLOGY

- Lithium Iron Phosphate cells construction
- Pre-charged batteries
- Homologated by OEM

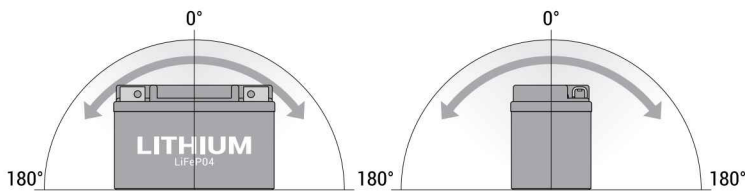
FEATURES

- Fast charging
- Multi-positioning mounting
- Very safe and environmental friendly
- Extensive cycle life: over 2000 cycles
- Very low self-discharge
- Cold temperature performance
- Waterproof design
- Ready to use: just plug and play
- Robust brass terminals
- Heat resistance: up to 230 C°
- Lighter weight

REPLACEMENTS

KTM Original Equipment - LFP001

MOUNTING ANGLE



High inclinasion

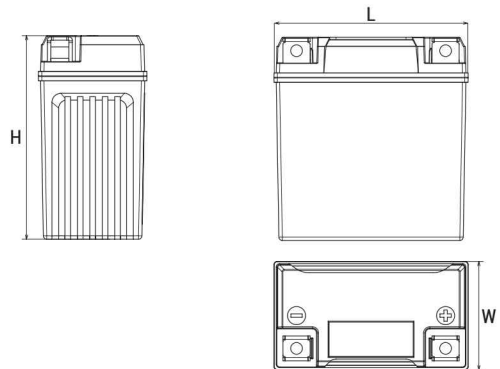
NON-SPILLABLE

OPERATING TEMP. RANGE

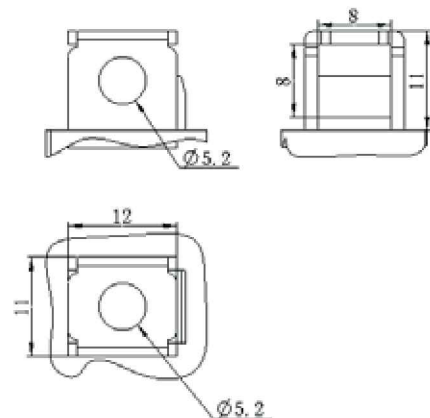
Charge temperature: 0°C to 45°C
 Discharge temperature: -20°C to 55°C
 Storage temperature: 0°C to 30°C

DIMENSIONS & WEIGHT

Length (L): 86mm ±1mm
 Width (W): 48mm ±1mm
 Height (H): 90mm ±2mm
 Weight: 0.42kg (tolerance ±3%)



TERMINALS (mm)



Two Great Stores to choose from...

7 Cemetery Rd,
Mackay QLD 4740

Phone 07 4957 6123

Unit 16, 547 Woolcock St,
Mt Louisa, Townsville QLD 4814

Phone 07 4774 7344