

LITHIUM

LiFePO4

LITHIUM (LiFePO4) | High Performance

REF BSLi-03



12_v

VOLTAGE

36_{Wh}

ENERGY

210_A

CCA - A (EN)

TECHNOLOGY

- Lithium Iron Phosphate cells construction
- Pre-charged batteries
- Homologated by OEM

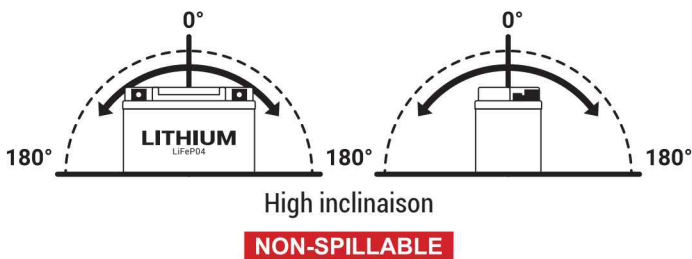
FEATURES

- Fast charging
- Multi-positioning mounting
- Very safe and environmental friendly
- Extensive cycle life: over 2000 cycles
- Very low self-discharge
- Cold temperature performance
- Waterproof design
- Ready to use: just plug and play
- Robust brass terminals
- Heat resistance: up to 230°C
- Lighter weight

REPLACEMENTS

SLA	MF	DRY	DRY
BTX7A	BTX7A-BS	BB9-B	12N9-4B-1
BT7B-4	BT7B-BS		
BT9B-4	BT9A-BS		
BTX9	BT9B-BS		
	BTX9-BS		

MOUNTING ANGLE

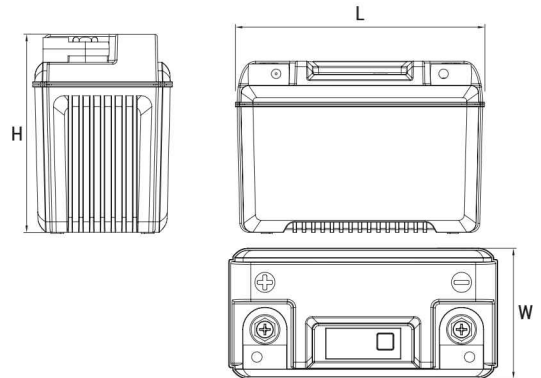


OPERATING TEMP. RANGE

Charge temperature:	0°C to 45°C
Discharge temperature:	-20°C to 55°C
Storage temperature:	0°C to 30°C

DIMENSIONS & WEIGHT

Length (L):	134mm ±1mm
Width (W):	65mm ±1mm
Height (H):	92mm ±2mm
Weight:	0.78kg (tolerance ±3%)



TERMINALS (mm)

