

LITHIUM

LiFePO4

LITHIUM (LiFePO4) | High Performance

REF **BSLi-04/06**



12v VOLTAGE

48Wh ENERGY

280A CCA - A (EN)

TECHNOLOGY

- Lithium Iron Phosphate cells construction
- Pre-charged batteries
- Homologated by OEM

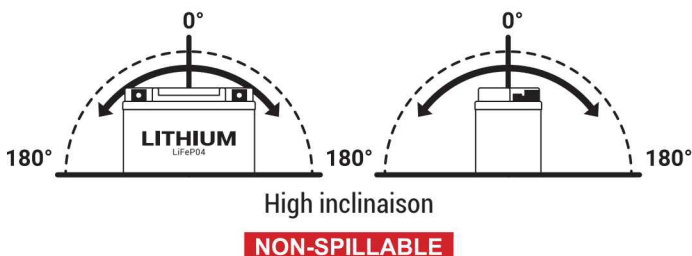
FEATURES

- Fast charging
- Multi-positioning mounting
- Very safe and environmental friendly
- Extensive cycle life: over 2000 cycles
- Very low self-discharge
- Cold temperature performance
- Waterproof design
- Ready to use: just plug and play
- Robust brass terminals
- Heat resistance: up to 230°C
- Lighter weight

REPLACEMENTS

SLA	MF	DRY	DRY
BTZ10S	BTZ10S-BS	BB10A-A2	12N12A-4A-1
BT12B-4	BT12B-BS	BB12A-A/B	
BT14B-4	BT14B-BS	BB12C-A	
BTX14AH/	BTX14AH-BS	BB14-A2	
BB14A-A2/B2	BTZ12S-BS	BB14-B2	
BTZ12S	BTZ14S-BS	BB14A-A1/A2	
BTZ14S	BTX12-BS		
BTX12	BT12A-BS		
BT12A	BTX14H		
BTX14			
BTX14H			

MOUNTING ANGLE

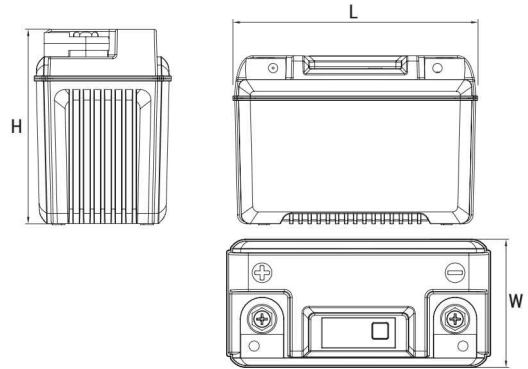


OPERATING TEMP. RANGE

Charge temperature:	0°C to 45°C
Discharge temperature:	-20°C to 55°C
Storage temperature:	0°C to 30°C

DIMENSIONS & WEIGHT

Length (L):	134mm ±1mm
Width (W):	65mm ±1mm
Height (H):	92mm ±2mm
Weight:	0.95kg (tolerance ±3%)



TERMINALS (mm)

