

# LITHIUM

LiFePO4

LITHIUM (LiFePO4) | High Performance

REF **BSLi-09**



**12<sub>v</sub>** VOLTAGE

**90<sub>Wh</sub>** ENERGY

**480<sub>A</sub>** CCA - A (EN)

### TECHNOLOGY

- Lithium Iron Phosphate cells construction
- Pre-charged batteries
- Homologated by OEM

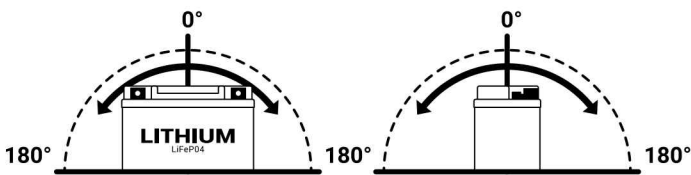
### FEATURES

- Fast charging
- Multi-positioning mounting
- Very safe and environmental friendly
- Extensive cycle life: over 2000 cycles
- Very low self-discharge
- Cold temperature performance
- Waterproof design
- Ready to use: just plug and play
- Robust brass terminals
- Heat resistance: up to 230°C
- Lighter weight

### REPLACEMENTS

SLA	MF	DRY
BTX20	BTX20-BS	-
BTX20CH	BTX20CH-BS	
	BTX20A-BS	

### MOUNTING ANGLE



High inclinasion

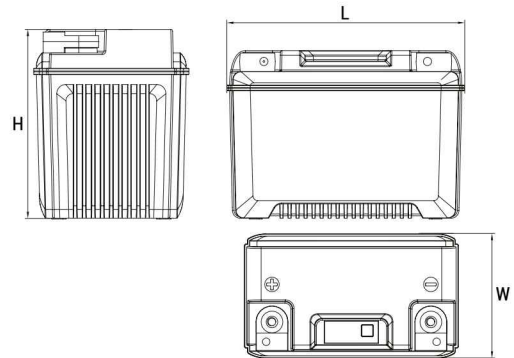
**NON-SPILLABLE**

### OPERATING TEMP. RANGE

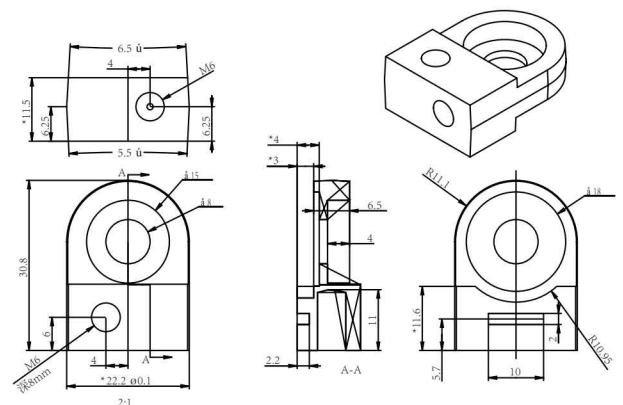
Charge temperature:	0°C to 45°C
Discharge temperature:	-20°C to 55°C
Storage temperature:	0°C to 30°C

### DIMENSIONS & WEIGHT

Length (L):	148mm ±1mm
Width (W):	86mm ±1mm
Height (H):	105mm ±2mm
Weight:	1.28kg (tolerance ±3%)



### TERMINALS (mm)



Two Great Stores to choose from...

7 Cemetery Rd,  
Mackay QLD 4740

Phone 07 4957 6123

Unit 16, 547 Woolcock St,  
Mt Louisa, Townsville QLD 4814

Phone 07 4774 7344