

LITHIUM

LiFePO4

LITHIUM (LiFePO4) | High Performance

REF BSLi-12



12_v VOLTAGE

96_{Wh} ENERGY

560_A CCA - A (EN)

TECHNOLOGY

- Lithium Iron Phosphate cells construction
- Pre-charged batteries
- Homologated by OEM

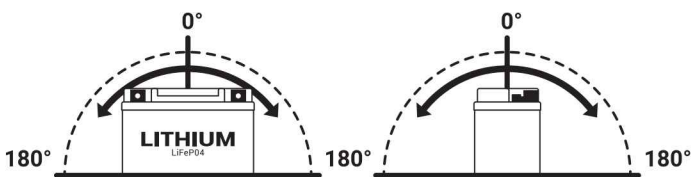
FEATURES

- Fast charging
- Multi-positioning mounting
- Very safe and environmental friendly
- Extensive cycle life: over 2000 cycles
- Very low self-discharge
- Cold temperature performance
- Waterproof design
- Ready to use: just plug and play
- Robust brass terminals
- Heat resistance: up to 230°C
- Lighter weight

REPLACEMENTS

SLA	MF	DRY	DRY
BIX30L	BIX30L-BS	BB30L-B	12N24-3A
BIX30HL		BB30CL-B	52515
		B60-N30L-A	53030

MOUNTING ANGLE



High inclinasion

NON-SPILLABLE

Two Great Stores to choose from...

7 Cemetery Rd,
Mackay QLD 4740

Phone 07 4957 6123

Unit 16, 547 Woolcock St,
Mt Louisa, Townsville QLD 4814

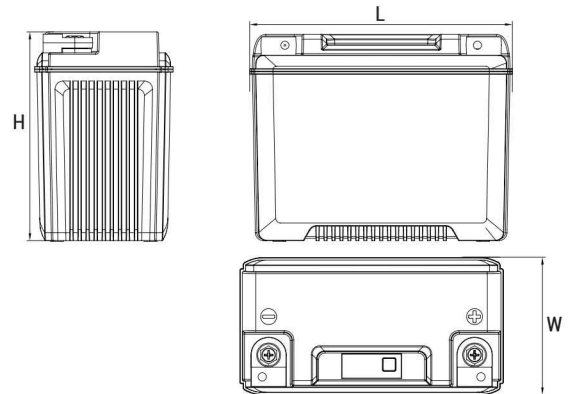
Phone 07 4774 7344

OPERATING TEMP. RANGE

Charge temperature:	0°C to 45°C
Discharge temperature:	-20°C to 55°C
Storage temperature:	0°C to 30°C

DIMENSIONS & WEIGHT

Length (L):	165mm ±1mm
Width (W):	86mm ±1mm
Height (H):	130mm ±2mm
Weight:	1.60kg (tolerance ±3%)



TERMINALS (mm)

