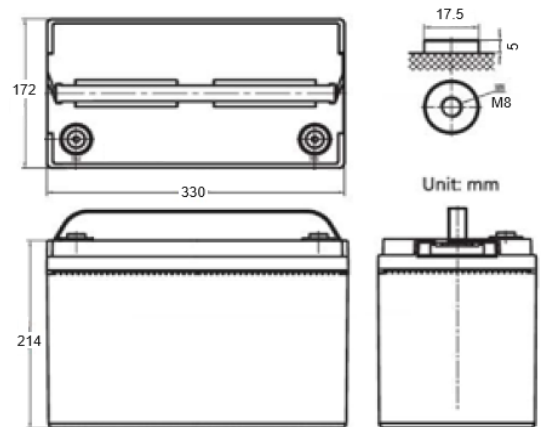


Technical Information

The Predator PLI12-135BT LiFePO₄ battery is a 12V deep cycle battery with a capacity of 135 Amp Hours (Ah). It is suited for deep cycle applications where high cycle life and low weight is required. The Predator range of lithium batteries are less than half the weight of comparable lead acid batteries and can last up to 4 times as long. The integrated Battery Management System (BMS) ensures that Predator LiFePO₄ batteries are safe and stable.

Features and Benefits

- Greater usable capacity compared to lead acid batteries
- Over 3500 cycles at 80% Depth of Discharge
- Fast recharge
- Lightweight



Applications

- RV, Sport & Leisure
- Industrial Equipment
- Solar

Item	Characteristic		Specification
1.1	Nominal Capacity		135Ah
1.2	Nominal Energy		1728Wh
1.3	Nominal Voltage		12.8V
1.4	Nominal Charge Voltage		14.6V
1.5	Float Charge Voltage (for stand-by use)		13.6V
1.6	Maximum charge current		100A
1.7	Recommended charge current		≤ 67.5A
1.8	Maximum discharge current		100A Constant (270A for 10 seconds)
1.9	Discharge cut-off voltage		11.2V
1.10	Dimensions (L x W x H), ±2mm		330mm x 172mm x 214mm
1.11	Nominal Weight		14.1kg
1.12	Bluetooth Connectivity		Yes, via App (search Predator Bluetooth)
1.13	Operation Temperature	Charge	0°C to +50°C (0-95% RH)
		Discharge	-20°C to +55°C (0-95% RH)
1.14	Self-discharge	Residual Capacity	≤ 3% /month, ≤ 15% /year
		Recover Capacity	≤ 1.5% /month, ≤ 8% /year
1.15	Storage Environment	≤ 1 month	-20°C to +60°C, 5% to 75% RH
		≤ 3 months	-10°C to +45°C, 5% to 75% RH
		Recommended	+15°C to +35°C, 5% to 75% RH
1.16	Parallel connection of up to 2 batteries is supported by the BMS. For series connection, up to 4 batteries can also be connected but CAUTION must be taken. Individual battery voltages must all be kept within a 0.2V range (a battery balancer is recommended). Combinations of parallel and series connection are not supported. Failure to comply may void warranty.		

Product Safety

1. Storage & Transport

The battery must be charged using the Standard Charge Process every 6 months if not in use.

Do not drop the battery.

Maximum stacking quantity (height) is 6 batteries.

The battery must be kept upright at all times.

2. Product Warnings

Please read and follow the handling instructions before use. Improper use may cause heat, fire, rupture, damage or capacity deterioration of the battery. The manufacturer is not responsible for any accidents caused by misuse or poor maintenance.

- Do not store or use battery near heat source.
- Do not install in vehicle engine bay.
- Do not expose battery to direct sunlight for extended periods.
- Do not connect battery to high voltage.
- Do not place battery in water or fire.
- Always check polarity before connecting the battery.
- Do not short circuit battery.
- Do not expose the battery to impact or crushing force.
- Do not disassemble the battery.
- Do not install or connect this battery with different battery types.
- Protect battery from high temperatures. High temperatures may result in fire or loss of battery function and service life.
- Do not allow the battery to remain discharged. Re-charge battery when discharged.
- Use the correct battery charger for this battery.
- If battery emits an unusual odor, becomes hot or the case has distorted, stop using the battery immediately
- If eyes or skin are exposed to liquid leaking from the battery, rinse it with clean water and seek medical advice immediately.