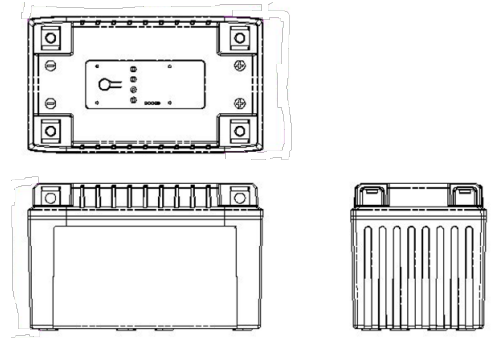


Technical Information

Predator Raptor is one of the most advanced lithium Motorcycle & Powersport batteries on the planet. The Raptor series feature an integrated BMS which actively protects the battery if the voltage, current or temperature move outside the normal operating limits. In intelligent mode, the battery will hibernate when the saved criteria are met (set using Bluetooth App), or if the battery reaches its discharge limit, reserving enough power to start your vehicle.

The Predator Raptor series feature newly developed *Shake to Wake* technology, which enables the user to remotely wake up a hibernating battery using movement. The HyperFlex Fitment System uses quad terminals and EVA spacers to enable each battery to replace a range of sizes.



Features & Benefits

- Higher Cranking Power
- Safe & Stable Lithium Iron Phosphate (LiFePO₄)
- Fully Integrated BMS with Bluetooth App
- Auto Hibernate
- Shake to Wake technology
- HyperFlex Fitment System
- Up to 3 times the cycle life of Lead Acid

Replaces

YTZ10S, MBTX10S

YTZX9-BS, MBTX9U
(with 12mm spacer)

YTZ12S, YTZ14S & 14BS, MBTZ14S
(with 12mm + 5mm spacer)

Technical Specifications

Battery Type	Lithium Iron Phosphate (LiFePO ₄), Starting	Case Material / Colour	ABS / Black
Nominal Voltage	12.8V	Case IP Rating	IP65
Capacity (2Hr)	6Ah	Assembly Layout	Quad Terminals
Rated CCA	180A	Operating Temperature	0 to 55°C (charge) -20 to 60°C (discharge)
Power Capacity	72Wh	Charge Voltage	14.4 ±0.2V
Case Size (LxWxH)	149 x 86 x 93mm (105 & 110 high with spacers)	Std. / Max. Charge Current	1.2A (0.2C) / 9A (1.5C)
BMS Protection	Temperature, Voltage & Current	Max. Discharge Current	270A (45C), <10s
Communication	Bluetooth (Predator Raptor App)	Nominal Weight	1000g